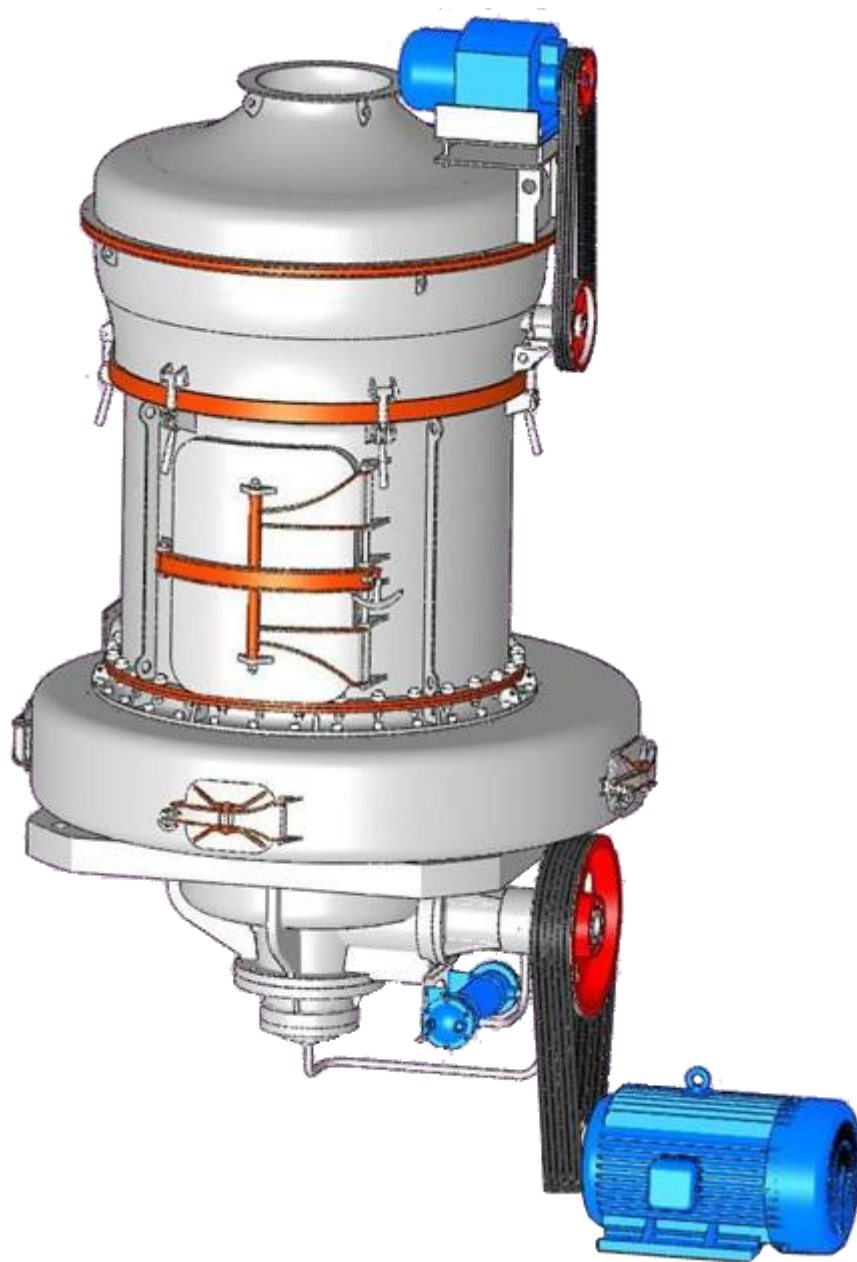


MTW Trapezium Mill

What we do today is to ensure the future of our group with youth and spirit forever and ever.

- SBM

MTW European Trapezium Grinding Mill



MTW European Trapezium Grinding Mill Overview

MTW European Trapezium Grinding Mill has arrived the top technical level in the world with many patented technology. According to the experience and suggestions from 9518 customers, SBM has made great efforts to bring MTW European Trapezium Grinding Mill into the world.

Applications

MTW European Trapezium Grinding Mill is mainly applied to the powder processing of mineral products in industries of metallurgy, construction, chemistry, and mining etc. It can produce powder from non-flammable and non-explosive mineral materials, such as barite, limestone, quartz, calcite, granite, porcelain clay, basalt, gypsum etc.

Main Features and Benefits

1. The bevel gear transmits in a whole, which makes the structure more compact, installation and commission more convenient.
2. The internal oil pump can lubricate the bearings both in main shaft and bevel gear shaft, without connecting any external oil pump or lubrication station.
3. Former straight wind tunnel in the traditional mill is replaced by curved one.
4. Sheet of the shovel is easy for change, and cyclone collector in isloted type.
5. Porthole adopts smooth wind spiral, which also gives the mill a very beautiful appearance.

Technical Data

Model	MTW110	MTW138	MTW175
Roller Number(pcs)	4	4	6
Inner Diameter of Roller (mm)	Φ1100	Φ1380	Φ1750
Speed(r/min)	120	96	75
Max. Feed Size(mm)	< 30	< 35	< 40
Final Size(mm)	1.6~0.045 Fineness can reach to 0.038	1.6~0.045 Fineness can reach to 0.038	1.6~0.045 Fineness can reach to 0.038
Capacity(t/h)	3.5~10	6.5~15	11~25

Overall Dimension(mm)	8910×6950 ×9010	9860×8340 ×10227	13500×11500 ×9500
Weight(t)	18	28.5	46

Name	Parameter	Unit	Sepsification			
			MTW110	MTW138	MTW175	
Main Unit Motor	Model		Y280M-6	Y315M1-6	Y355M1-6	
	Power	Kw	55	90	160	
	Speed	Rpm	980	990	990	
Motor of Classifier	Model		YCT200-4A (YCT200-4B)	YCT200-4B (YCT225-4A)	YCT225-4A (YCT225-4B)	
	Power	Kw	5.5(7.5)	7.5(11)	11(15)	
	Speed	Rpm	125~1250	125~1250	125~1250	
Motor of Blower	Model		Y250M-4	Y280M-4	Y315L1-4	
	Power	Kw	55	90	160	
	Speed	Rpm	1480	1480	1490	
Optional Equipment	Elevator	Model		TH250	TH250	TH315
		Motor		Y100L2-4	Y100L2-4	Y112M-4
		Power	Kw	3	3	4
		Speed	Rpm	1420	1420	1420
	Jaw Crusher	Model		PE250×400	PE250×400	PE250×750
		Motor		Y180L-6	Y180L-6	Y200L2-6
		Power	kw	15	15	22
		Speed	Rpm	970	970	970
	Feeder	Model		GZ2F	GZ3F	GZ4F
		Power	w	150	200	450

How MTW European Trapezium Grinding Mill works

The bevel gear transmits in a whole and drives the main shaft, who is connected with the roller hanger in the top. There are grinding rollers installed in the hangers and forming a swing support. The rollers rotate not just around the main shaft, but also around the grinding ring, besides, rollers can rotate to itself as well because of friction. Shovels are installed at the bottom end of hanger; when shovels rotate together with rollers, materials will be fed into space between rollers and ring to form a material layer, which will be grinded due to centrifugal force. The classifier drives the blades in the rotary table through the speed motor to classify the powder.

Sales Hot-Line

International Dept.1: Tel: 0086-21-58383098

International Dept.2: Tel: 0086-21-58383028

International Dept.3: Tel: 0086-21-58383058

International Dept.4: Tel: 0086-21-58383003

International Dept.5: Tel: 0086-21-58383022

E-mail & Fax

E-mail: sbm@unisbm.com

Fax: 0086-21-58383058

Office Address & Zip

Add : No.416 Jianye Road, South Jinqiao Area, Pudong, Shanghai, China

Zip / Postal Code : 201201